

FOBA Ceiling Rail System Create space.

Still stumbling your way through your studio? Create order and space with FOBA Ceiling Rail System

Power cables, extensions, lights, power packs, stands and tripods: sometimes your studio looks and feels like a jungle, where everything seems to conspire against you and your work. And your clients get an impression of disorder and chaos.



The solution: FOBA Ceiling Rail System

This sophisticated and carefully planned design relegates lights, power packs, cables and other appliances to the ceiling while keeping them fully accessible and mobile. Work faster under perfect lighting conditions on an unencumbered floor; learn the value of the best possible usage of floor space. Not only large photographic studios can gain from installing a FOBA Ceiling Rail System. Its advantages can be even more valuable in smaller studios, where every square centimeter of reconquered floor space is priceless. FOBA has designed individual solutions for both large and smaller studios. Both systems are conceived in view of maximum safety of use and unequalled working comfort, and can be combined together easily.



FOBA ROOF-TRACK

is a small-scale system which you can easily plan and install yourself. It is particularly indicated for small and medium studios and for portrait studios, where it is important that the customer should feel at ease.

FOBA MEGA-TRACK

meets the professional's highest demands. MEGA-TRACK is custom-made to your individual requirements using FOBA standard components. FOBA or its agent in your country will assist you with the planning and oversee the production and installation.

All FOBA Ceiling Rail System components come with detailed and clear assembly instructions.

FOBA[®]
STUDIO-TECHNOLOGY

FOBA Ceiling Rail Systems are smooth, durable and need little or no maintenance.

FOBA trolleys are equipped with state-of-the-art bearings to make them glide smoothly and almost silently. Double rollers increase stability. They are bolted together for easy maintenance: no technician is needed to change wear parts such as steel rollers and bearings – you can do it easily yourself.

Pantographs are equipped with a friction clamp, adjustable between 1 and 12 kg (26.5 lb). Counterbalance springs are available for heavier loads.

All components are lacquered in reflex-free black

Your FOBA system is designed in view of the best possible functionality and highest safety standards.

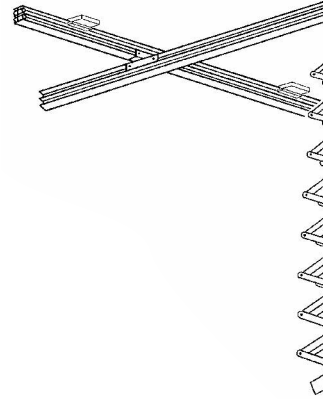
Power cables not included.

Modularity – the key to progressive investment

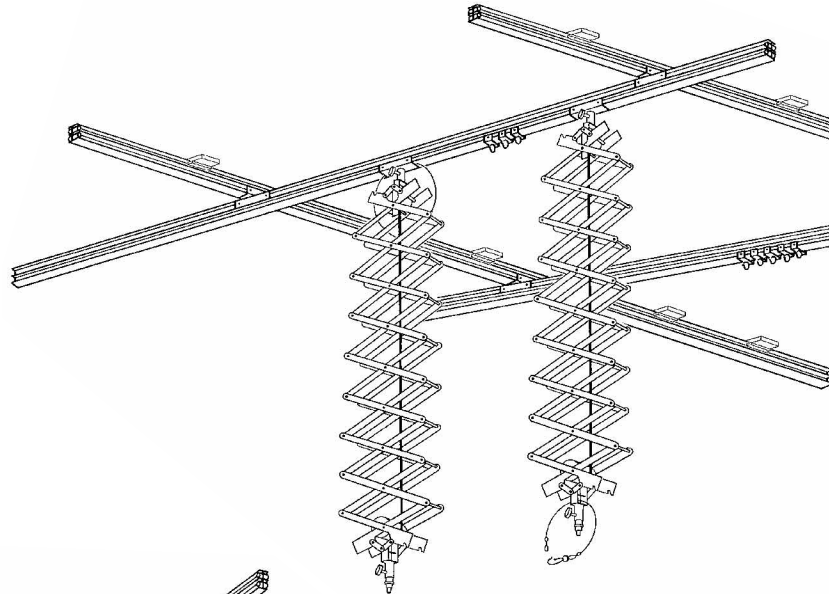
FOBA ROOF-TRACK was conceived with the small or medium-sized photographic studio in mind. It is easy to install and does not require extensive planning in advance. It grows with your business.

To get the most economical start without precluding later expansion, choose among the three available kits predefined by FOBA. ROOF-TRACK kits come for ceiling surfaces of 12, 16 or 24 square meters. They include all the components likely to be necessary in a standard studio; additional components can be installed with the main kit or at any time thereafter. There are no limits to upgrading, for instance to make room for new equipment or for a special project. Every kit includes ceiling rails, cross rails, pantographs for lights or reflectors, trolleys and accessories.

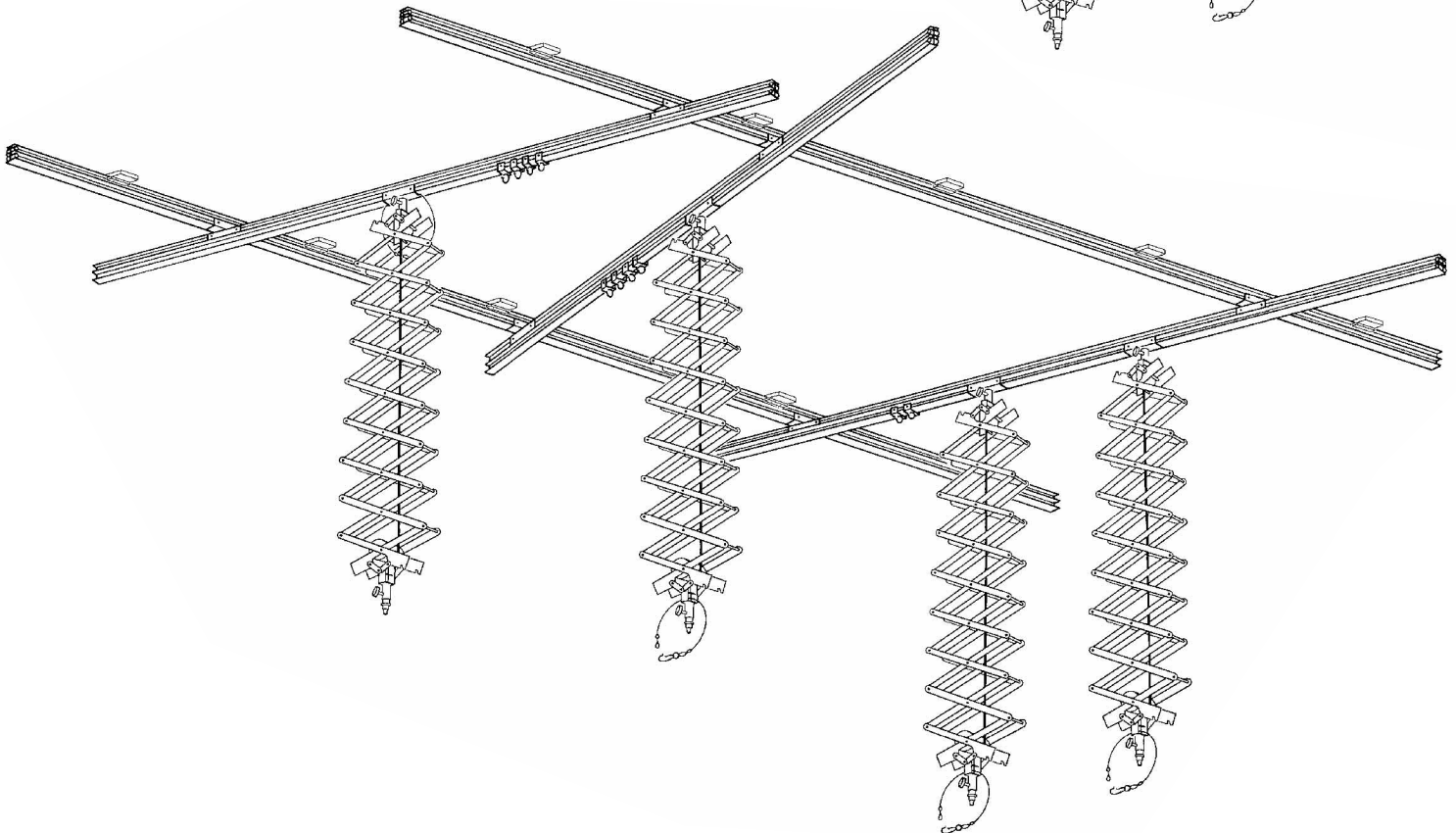
Mini Kit ROTOA

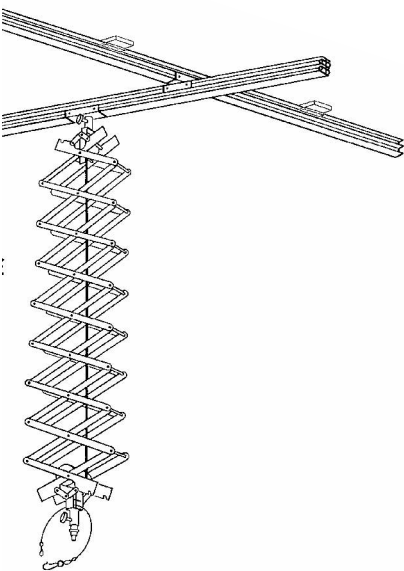
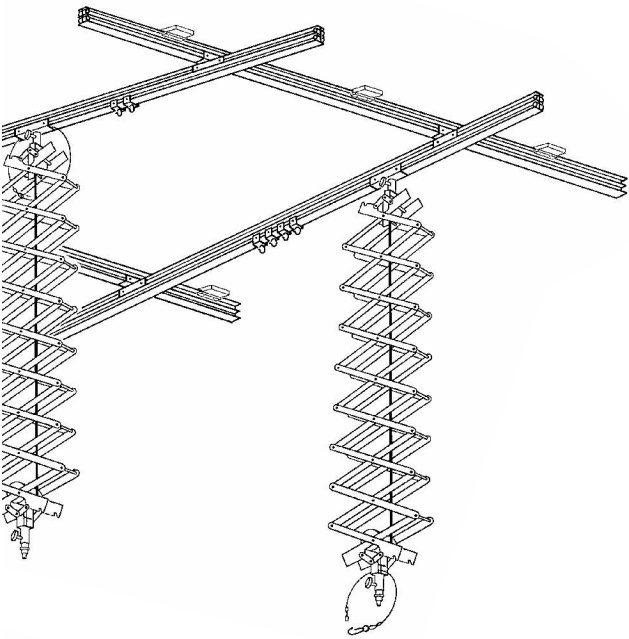


Pro Kit ROTOE



Maxi Kit ROTOU



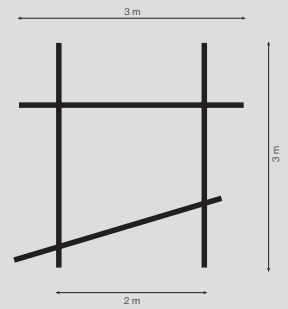


Mini Kit ROTOA

The FOBA beginner's kit for up to 12 m² of ceiling area. Just what small portrait or passport photo studios need. Can be upgraded at any time by adding entire kits and/or individual components.

Qty	Component
4	ROTRA-3 Ceiling rail, L = 3 m
6	ROTIE End stops, set of 2
4	ROTAO Cross trolley
2	ROTEU Trolley with all-purpose adaptor
3	ROTRO Ceiling fittings, set of 2
2	ROTIA Power cable trolleys, set of 4
2	RODAU All-purpose adaptor
2	ROBAE Pantograph with friction clamp
4	ROSIA Safety wire with carabiner clamp
1	Spanner wrench 8 mm
1	Spanner wrench 10 mm

Weight: 29 kg (64 lb)

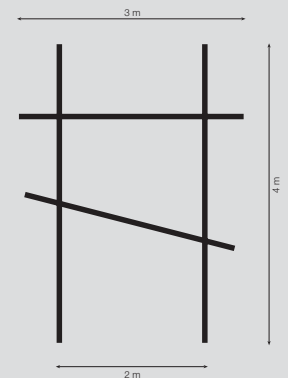


Pro Kit ROTOE

The FOBA basic kit for medium-size studios with up to approx. 16 m² ceiling area. Can be upgraded at any time by adding entire kits and/or individual components.

Qty	Component
2	ROTRA-4 Ceiling rail, L = 4 m
2	ROTRA-3 Ceiling rail, L = 3 m
6	ROTIE End stops, set of 2
4	ROTAO Cross trolley
3	ROTEU Trolley with all-purpose adaptor
4	ROTRO Ceiling fittings, set of 2
3	ROTIA Power cable trolleys, set of 4
3	RODAU All-purpose adaptor
3	ROBAE Pantograph with friction clamp
6	ROSIA Safety wire with carabiner clamp
1	Spanner wrench 8 mm
1	Spanner wrench 10 mm

Weight: 40 kg (88 lb)

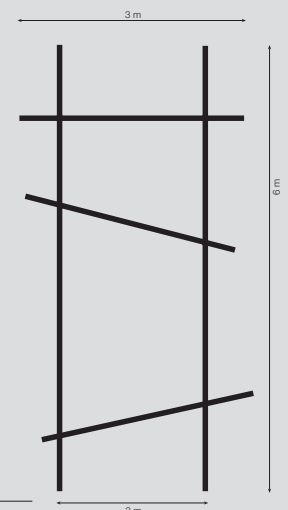


Maxi Kit ROTOU

The large FOBA kit for 24 m² ceiling area or more. Can be upgraded at any time by adding entire kits and/or individual components.

Qty	Component
2	ROTRA-6 Ceiling rail, L = 6 m
3	ROTRA-3 Ceiling rail, L = 3 m
6	ROTIE End stops, set of 2
6	ROTAO Cross trolley
4	ROTEU Trolley with all-purpose adaptor
5	ROTRO Ceiling fittings, set of 2
4	ROTIA Power cable trolleys, set of 4
4	RODAU All-purpose adaptor
4	ROBAE Pantograph with friction clamp
8	ROSIA Safety wire with carabiner clamp
1	Spanner wrench 8 mm
1	Spanner wrench 10 mm

Weight: 57 kg (125.66 lb)



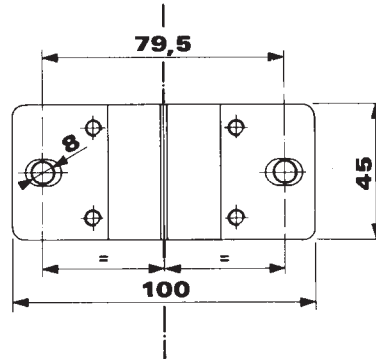
Focus on SAFETY

For its ROOF-TRACK system, FOBA uses exclusively materials which have been tested for strength and which correspond to the most stringent safety regulations and quality standards. All carrying parts are either welded or bolted together, according to state-of-the-art finishing methods.

Safety is ensured: for instance, pantograph fastenings for lamps can only be opened with two separate hand movements. Additional safety is provided by a special safety wire preventing the appliances from accidental fall.

Ceilings are not always horizontal: this is particularly the case in older buildings. You can choose between two different components to compensate irregular ceiling heights.

Spacer RODIE is supplied in highly precise custom length between 10 cm and 1 m. Together with threaded rod RIDIO, spacer RODIO can be installed by the fitter and adjusted to level out up to 3 cm on location.



ROTRO

Set of 2 ceiling attachment fittings (bolts to ceiling included). ROTRO fittings can also be used to connect two ceiling rails end to end.

Length:	100 mm
Width:	45 mm
Height:	10 mm
Weight:	210 g (0.46 lb)



RODIE

Custom-length spacer between ceiling and ROTRO rail fitting (ROTRO not included).

Length:	10 - 100 cm
---------	-------------



RIDIO

Threaded rod M16 for RODIO and RIDIU.

Length:	1 m
Weight:	1.3 kg (2.86 lb)

RODIO

Adjustable spacer between ceiling and ROTRO fitting, with 2 nuts (ROTRO and threaded rod RIDIO not included).

Adjustment range:	max. 3 cm
Weight:	790 g (1.74 lbs)



RODOA

Set of 2 rail connectors, can be used for connecting two rails
 – at right angles
 – one above the other to reinforce longer spans.

Weight:	600 g (1.32 lb)
---------	-----------------



ROTIO

Power cable trolley with eye hook; for cable clips RUGOE, RUGOA, RUGOU or cable binders. One ROTIO is required per approx. 60 cm of cable. At rail end, the cable must be threaded through the appropriate holder in the ROTIE end stop.

Weight: 120 g (0.26 lb)

ROTIA

Set of 4 ROTIO power cable trolleys.

Weight: 460 g (1.0 lb)



Cable clips

To attach power cables to a ROTIO trolley or to a RUGEO rolling support.

RUGOE

Diameter: 6 - 8 mm

RUGOA

Diameter: 10 - 15 mm

RUGOU

Diameter: 15 - 19 mm

Weight: 20 g (0.05 lb) each



ROTEU

ROOF-TRACK trolley, with all-purpose adapter for pantograph or connecting rod.

Length: 15 cm

Weight: 450 g (1.0 lb)



ROTUO

Trolley with threaded 3/8" COMBITUBE* connector.

Weight: 450 g (1.0 lb)



ROTAO

Cross trolley, connects cross rails to longitudinal rails at almost any angle. Each cross rail requires at least two ROTAO trolleys.

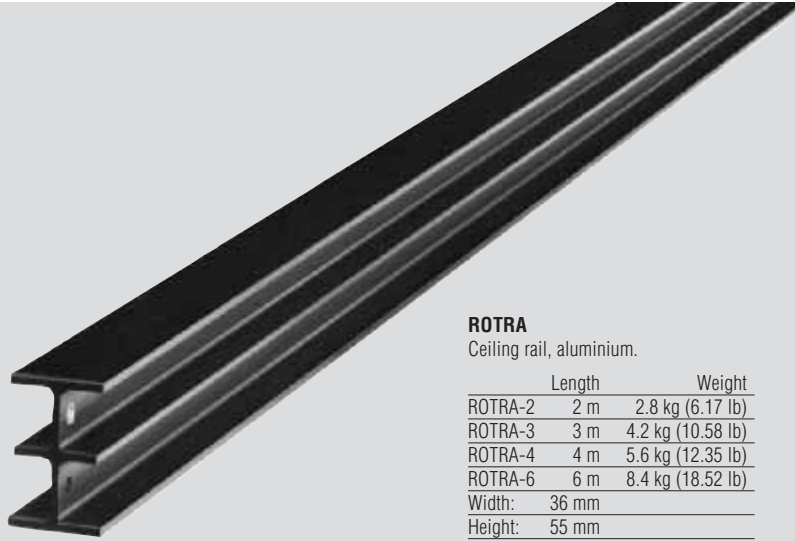
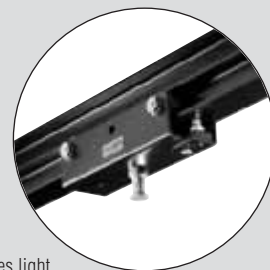
Weight: 800 g (1.76 lb)



ROBRE

Friction clamp, set of 2. Provides light braking for trolleys.

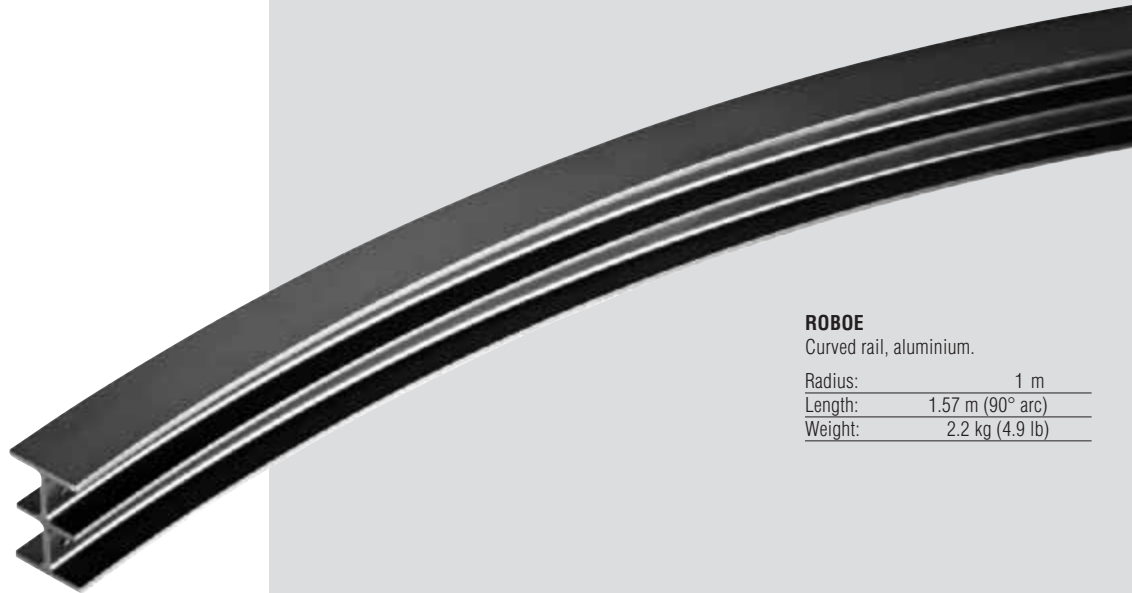
Weight: 40 g (0.088 lb)



ROTRA

Ceiling rail, aluminium.

	Length	Weight
ROTRA-2	2 m	2.8 kg (6.17 lb)
ROTRA-3	3 m	4.2 kg (10.58 lb)
ROTRA-4	4 m	5.6 kg (12.35 lb)
ROTRA-6	6 m	8.4 kg (18.52 lb)
Width:	36 mm	
Height:	55 mm	



ROBOE

Curved rail, aluminium.

Radius:	1 m
Length:	1.57 m (90° arc)
Weight:	2.2 kg (4.9 lb)



ROTIE

Set of 2 rail end stops including holder for power cable.

Weight: 40 g (0.088 lb)

Floating lights

Give bank lights wings with ROOF-TRACK

Even large bank lights are safely out of your way on the ceiling and can be moved easily and precisely as required.

Like running on rails

FOBA Ceiling Rail Systems provide professionals with both top comfort and exceptional safety

Not only do you get all the advantages of having more floor space by moving most equipment to the ceiling; you also ensure the best conditions to work safely and efficiently.

Pantographs allow you to regulate lamp height easily. The friction clamp let your lights hover in the position you choose.



ROMEI

Suspension kit, partially motorized. For light banks up to max. 35 kg. Trolley not included; with four 24 V motors for vertical movement, 4-channel remote control with 10 m cable. Manual rotation 360°.

ROMEI can be used on ROOF-TRACK (+ ROMAO) and MEGA-TRACK (+ ROMAE).

Hanging points can be set to different positions to accommodate light banks of various sizes, up to 1.5 x 2.5 m.

Weight: 33 kg (72.8 lb)



ROMAO

Set of trolleys for ROMEI on ROOF-TRACK system.

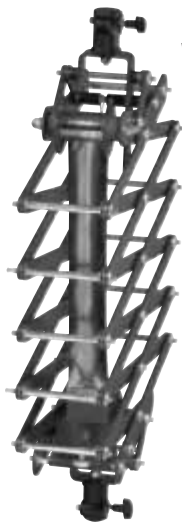
Weight: 1.6 kg (3.5 lb)



ROBAO

Pantograph with friction clamp. Load adjustable from 1 to 12 kg (26.5 lbs). Counterbalance springs ROSAO and ROSAE are available for easy and comfortable operation with heavier loads.

Length, closed: 37 cm
 Length, extended: 380 cm
 Weight: 7.5 kg (16.5 lb)



ROBAE

with counterbalance spring

ROBAE with counterbalance spring

Counterbalance springs increase the pantograph's load capacity without impairing comfort of operation.



ROSAO (Color: blue)
 Counterbalance spring for ROBAO. Balances loads of 6 to 13 kg (13.2 - 28.7 lb).

Weight: 935 g (2.0 lb)

ROSAE (Color: blue)
 Counterbalance spring for ROBAO. Balances loads of 13 to 18 kg (28.7 - 39.7 lb).

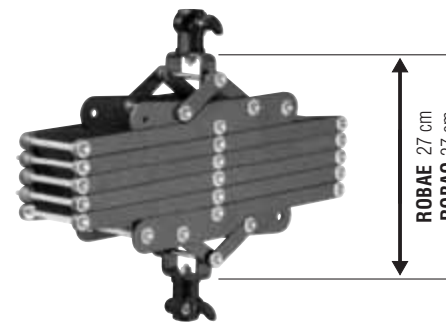
Weight: 1.2 kg (2.1 lb)



ROBAE

Pantograph with friction clamp. Load adjustable from 1 to 12 kg (26.5 lb). Counterbalance springs ROSEO and ROSEA are available for easy and comfortable operation with heavier loads.

Length, closed: 27 cm
 Length, extended: 200 cm
 Weight: 4.9 kg (10.8 lb)



Room-saving when closed

ROBAE 27 cm
 ROBAO 37 cm



ROSEO (Color: red)
 Counterbalance spring for ROBAE. Balances loads of 6 to 13 kg (13.2 - 28.7 lb).

Weight: 725 g (1.6 lb)

ROSEA (Color: red)
 Counterbalance spring for ROBAE. Balances loads of 13 to 18 kg (28.7 - 39.7 lb).

Weight: 915 g (2.0 lb)

ROMAE

Set of trolleys for ROMEI on MEGA-TRACK system.

Length:	80 cm
Weight:	7.4 kg (16.3 lb)



RODOI 1

Connecting rod between various components, e.g. trolley and suspended appliances. With safety bolts and counternuts, for all adaptor types.

Length:	50 cm
Inner Ø:	5/8 "
Weight:	420 g (0.93 lb)

RODOI 2

Connecting rod with safety bolts and counternuts, for all adaptor types.

Length:	1 m
Inner Ø:	5/8 "
Weight:	840 g (1.85 lb)



RODUO

Connecting sleeve between two adapters (short version of RODOI connecting rod) with safety bolts and counternuts, for all adaptor types.

Length:	65 mm
Inner Ø:	5/8 "
Weight:	90 g (0.2 lb)



ROGOU

Support with 7 all-purpose adapters. Can be attached vertically or horizontally to RODOI or RODUO rod connectors or to a pantograph. Allows the connection of several components to one trolley.

Length:	70 cm
Weight:	900 g (2.0 lb)

ROTUI

All-purpose or power pack holder, adjustable height. Connection to a trolley requires at least one RODOI or RODUO element.

Max. height:	28 cm
Max. width:	54 cm
Weight:	3.3 kg (7.3 lb)



ROSIA

Safety wire with carabiner clamp.

Length:	43 cm
Weight:	20 g (0.004 lb)



ROTAI

Balance point counterweight. To adjust the verticality of suspended appliances, when their balance point does not correspond to the vertical axis of their support.

Length:	29 cm
Weight:	410 g (0.9 lb)



RODAU

All-purpose adapter

Thread:	3/8" and 1/4 "
Weight:	75 g (0.17 lb)



RODUE

All-purpose adapter with wing nut.

Thread:	3/8 "
Weight:	60 g (0.17 lb)



RODEA

Adapter for BRONCOLOR PULSO lamps.

Weight:	95 g (0.21 lb)
---------	----------------



RODUI

Adapter for BRON IMPACT.

Weight:	110 g (0.24 g)
---------	----------------



RODUA

COMBITUBE* connector. With appliance adapter for pantograph, flash or other.

Outer thread:	3/8" with cone
Weight:	60 g (0.13 lb)



RODEE

COMBITUBE* adapter. With appliance adapter for pantograph, flash or other.

Inner thread:	3/8" with cone
Weight:	95 g (0.21 lb)

MEGA-TRACK by FOBA

The ceiling rail system in answer to the highest demands made by photography professionals

For example, the possibility of moving large bank lights without effort.

All MEGA-TRACK units are defined and planned by FOBA engineers or agents to your precise specifications, and assembled to order using standard FOBA elements. Only this method guarantees top safety, loads up to 250 kg and the best possible use of the space available.

MEGA-TRACK rails and accessories are made from high-grade special steel profiles with two integrated tracks, lacquered reflex-free black.

MEGA-TRACK trolleys are designed for heavy duty

Thanks to high-precision ball bearings, they let your appliances glide effortlessly and almost silently. This makes all the difference to efficient studio work without unnecessary strain. Get even more comfortable by letting RUGAI, FOBA's 24V motor tractor, do some of the moving around for you. Use the handy crank on stopper trolleys REGIE or RETIU to secure appliances that shouldn't be moved or that you don't need often.

Last but not least: you can attach FOBA's lighter ROOF-TRACK ceiling rails to your existing MEGA-TRACK system with special adapter trolley ROGAO.



RIGUE

Ceiling fitting for rail, bolts to ceiling included.

Length:	65 mm
Width:	53 mm
Height:	70 mm
Weight:	650 g (1.43 lb)



ROBRO

Double rail trolley for heavy lighting units.

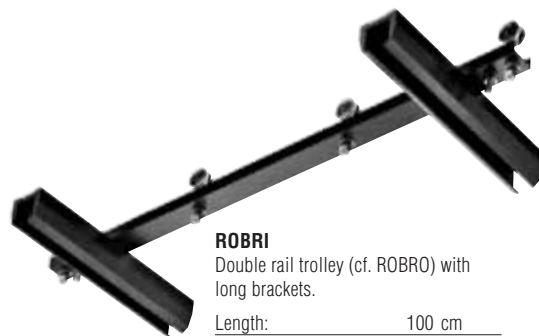
Max. load:	250 kg
Rail spacing:	75 cm
Length:	100 cm
Weight:	7.2 kg (15.9 lb)



RIGOE

Ceiling fitting for rails: connects two rails end-to-end and together to the ceiling, bolts to ceiling included.

Length:	130 mm
Width:	53 mm
Weight:	1.0 kg (2.65 lb)



ROBRI

Double rail trolley (cf. ROBRO) with long brackets.

Length:	100 cm
Weight:	9.2 kg (20.3 lb)



RAGIE

Twin-wheels trolley with COMBITUBE* adapter (3/8" thread and cone).

Weight:	360 g (0.8 lb)
---------	----------------



ROGAO

Adapter trolley. Connects a lighter ROOF-TRACK cross rail to an existing heavy-duty MEGA-TRACK ceiling rail.

Length:	31 cm
Weight:	2.5 kg (5.5 lb)



RUGAI

24 V motor tractor for horizontal movement of rail trolleys. Remote control over one control panel channel.

Length:	26 cm
Weight:	4 kg (8.82 lb)



REGIE

Trolley with COMBITUBE* adapter (3/8" thread and cone) and manually operated stopper; for lamps, spots, and other appliances.

Length:	25 cm
Weight:	1.3 kg (2.9 lb)



ROGIE

Cross trolley: to attach a cross rail to the longitudinal ceiling rail. At least 2 ROGIE are required per cross rail.

Length:	49 cm
Weight:	3.75 kg (8.27 lb)



ROGIO

Cross trolley with long bracket for secure end-to-end connection of two cross rails.

Length:	49 cm
Weight:	4.8 kg (10.6 lb)



RIDIE

Custom-length spacer between ceiling and RIGUE ceiling fitting (RIGUE not included).

Length:	custom, 10 - 100 cm
---------	---------------------



RIDIU

Adjustable spacer between ceiling and RIGUE or RIGOE fittings, with 2 nuts. Fittings and threaded rod RIDIO not included.

Adjustment range:	max. 3 cm
Weight:	610 g (1.34 lb)



REGUE

Custom-length ceiling rail in high-grade steel.

Length:	custom, max. 6 m
Width:	43 mm
Height:	50 mm
Weight:	18 kg (39.7 lb) for L = 6 m

RIDIO

Threaded rod M16 for RODIO and RIDIU.

Length:	1 m
Weight:	1.3 kg (2.86 lb)



RETIU

Trolley with all-purpose adapter for pantograph and other accessories, with manually operated stopper.

Length:	25 cm
Weight:	1.3 kg (2.9 lb)



RUGEO

Rolling support for RUGOE, RUGOA, RUGOU cable clips. Runs on the RUGAE steel wire, itself supported by wire holder RUGIO. One RUGEO is required per approx. 60 cm of cable. At rail end, the cable must be fixed with a cable binder.

Weight:	30 g (0.066 lb)
---------	-----------------



Cable clips

To attach power cables to a ROTIO trolley or to a RUGEO rolling support.

RUGOE

Diameter:	6 - 8 mm
-----------	----------

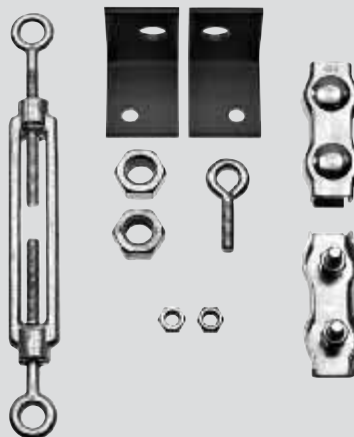
RUGOA

Diameter:	10 - 15 mm
-----------	------------

RUGOU

Diameter:	15 - 19 mm
-----------	------------

Weight:	20 g (0.05 lb) each
---------	---------------------



RUGIO

Steel wire holder kit, steel wire RUGAE not included. The holder is mounted directly on a trolley with the two angled brackets.

Weight:	320 g (0.71 lb)
---------	-----------------



RUGAE

Steel wire for MEGA-TRACK, rubber-coated, custom length.

Diameter:	5 mm
Weight:	40 g/m (0.088 lb/m)



REGIA

Brake crank for manually operated stopper on RETIU and REGIE trolleys. Available in custom length on request.

Standard length:	1.3 m
Weight:	780 g (1.72 lb)



RIGIE

Stopper for trolleys etc. Can be placed anywhere on any MEGA-TRACK rail.

Weight:	160 g (0.35 lb)
---------	-----------------

FOBA – we stand by you

Let us advise you in defining your requirements and help you plan your ceiling rail system.

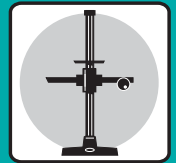
ROOF-TRACK does not require much planning, and you can install it yourself, or with the help of a technician.

We recommend that you let your local FOBA agent assist and counsel you in the planning of your FOBA MEGA-TRACK ceiling rail system, because this system is produced to individual specifications with standard FOBA components and requires exact design calculations by our static engineers.

Whether you choose ROOF-TRACK, MEGA-TRACK, or any of the other FOBA products, you can be sure of acquiring solid, reliable and durable material, produced with state-of-the-art Swiss technology.



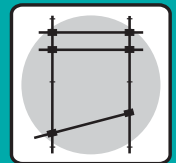
FOBA product lines



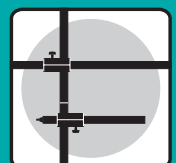
FOBA STUDIO STANDS, TRIPODS
FOBA STATIVE
FOBA PIEDS À COLONNE, TRÉPIEDS



FOBA TRIPOD HEADS
FOBA STATIVKÖPFE
FOBA TÊTES DE TRÉPIEDS



FOBA CEILING RAIL SYSTEM
FOBA DECKENSCHIENEN-SYSTEM
FOBA SYSTÈME RAILS DE PLAFOND



FOBA COMBITUBE SYSTEM
FOBA COMBIROHR® SYSTEM
FOBA SYSTÈME COMBITUBE



FOBA BACKGROUND TABLES
FOBA AUFNAHMEISCHE
FOBA TABLES DE PRISE DE VUE

FOBA®

STUDIO-TECHNOLOGY

FOBA AG
Studio-Technology
Friedgrabenstrasse 21
CH-8907 Wettswil
☎ +41 44 701 90 00
☎ +41 44 701 90 01
info@foba.com
www.foba.com